

Ball check valve Figure 201

Rensberg ball check valves type Figure 201 are mainly installed as check valves on wastewater pipelines with a small pipe diameter of maximum DN50. The screwed connection and low weight of the Figure 201 enables a simple mounting procedure. The machining and coating is identical to type Figure 202.

Features:



- Face to face according to the attached drawing
- Thread according PN-EN ISO 228-1:2005
- Epoxy Resicoat R4 - 310µm - RAL5005
- Closed at 0,2 bar back pressure
- Standard with Stainless Steel bolts
- Product of European origin
- Ball coated with NBR or EPDM rubber
- Both vertical and horizontal mounting possible

| Article | Body | Seal | Pressure | Lining | Temp. (°C) |
|-----------------------|-------------------------|------|----------|--------|-------------|
| Figure 201 / GGG-EPDM | Ductile iron GGG40 | EPDM | PN16 | Epoxy | -30°C/70°C |
| Figure 201 / GGG-NBR | Ductile iron GGG40 | NBR | PN16 | Epoxy | -10°C/70°C |
| Figure 201 / RVS-EPDM | Stainless Steel AISI316 | EPDM | PN16 | - | -30°C/120°C |
| Figure 201 / RVS-NBR | Stainless Steel AISI316 | NBR | PN16 | - | -10°C/70°C |

Extra options:



Custom RAL colors

can be selected for the valve body and cover



Stainless steel execution

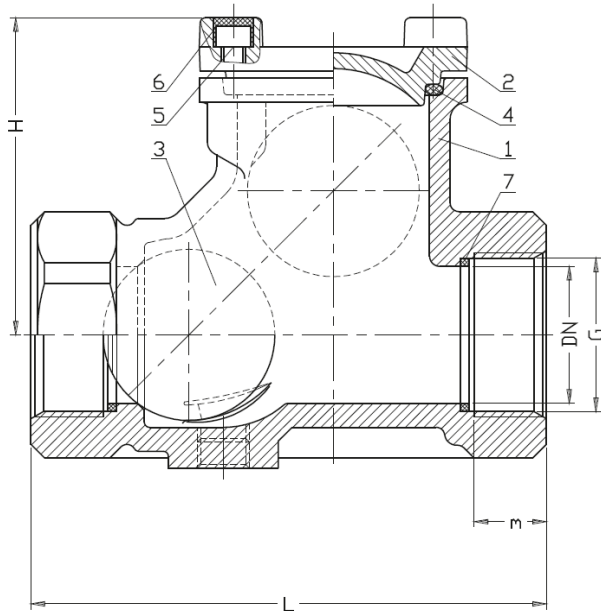
with body and cover in stainless steel for aggressive environments



Bypass screw

allows to lift the ball to enable draining of the pipeline

Ball check valve Figure 201



| Item | Stuk | Materiaal |
|------|-----------|-------------------------|
| 1 | Body | Ductile iron GGG40 |
| | | Stainless steel AISI316 |
| 2 | Cover | Ductile iron GGG40 |
| | | Stainless steel AISI316 |
| 3 | Ball | NBR |
| | | EPDM |
| 4 | O-ring | NBR |
| | | EPDM |
| 5 | Bolt | A2 |
| 6 | Bolt seal | Paraffin |
| 7 | Gasket | NBR |
| | | EPDM |

| DN | PN | G | L | m | H | Weight (kg) |
|----|------|------|-----|----|-----|-------------|
| 25 | PN16 | 1" | 120 | 18 | 75 | 1,7 |
| 32 | | 5/4" | 140 | 18 | 75 | 2,2 |
| 40 | | 6/4" | 150 | 20 | 89 | 3,1 |
| 50 | | 2" | 220 | 35 | 113 | 5,0 |